

LUSI Parts ID

LUSI Parts

Table 10-1. LUSI Replacement Parts

Item	Description	Part Number
	Local User Interface <i>Series II</i> includes items 1 to 28	01090-60011
1	Keyboard Door LUSI <i>Series I</i>	01090-40301
	Keyboard Door LUSI <i>Series II</i>	01090-40304
2	Keeper Magnetic	01090-02302
3	Screw TPG 2-28	0624-0347
4	Filter	01090-02701
5	Panel Filter	01090-00219
6	Screw TAP 6-20 0.5	0624-0045
7	DDK Board <i>Series I</i>	01090-66551
	DDK Board <i>Series II</i>	01090-66553
8	Screw TAP 6-20 0.5	0624-0045
9	Panel Filter	01090-00219
10	Filter	01090-02701
11	Hinge Keyboard	01090-05111
12	Rod Hinge	01090-23702
13	Screw M3x0.5 - 6lg	0515-0536
14	Washer Shoulder	3050-0499
15	Retaining Ring	0510-0015
16	Spring Compression	1460-1597
17	Screw TAP 6-20 0.5	0624-0045
18	Screw M3x0.5 - 6lg	0515-0886
19	Angle Limit	01090-00506
20	Catch Door	01090-05001

Local User Interface

Table 10-1. LUSI Replacement Parts (continued)

Item	Description	Part Number
21	Upper Bar	01090-03707
22	Washer	3050-0891
23	Screw M3×0.5 - 6lg	0515-0886
24	Cover Protection "LUSI"	01090-04134
25	Screw TAP 6-20 0.5	0624-0045
26	DKI-Board Assembly	01090-66507
27	Screw M3×0.5 - 6lg	0515-0886
28	Lower Bar	01090-03708
	Plate "LUSI"	01090-00203
	Hinge "LUSI"	01090-05111
	DKI Ground Cable	01090-61620
	MEM Board (for DKC) <i>Series I</i>	01090-66565
	MEM Board (for DKC) <i>Series II</i>	01090-66505
	DKC Board	01090-66509
	LIL Board	01090-66510
	CIL Board	01090-66511
	LIB Board <i>Series I</i>	01090-66529
	LIB Board <i>Series II</i>	01090-66539
	Screw for DKC/MEM Board	0515-0536
	Cable HP-IL	82167-60002
	HP-IB Cable Board	5061-3352
	LIB-COM Cable	01090-61621
	DKC Battery	1420-0361
	DKC-DKI Cable	01090-61619
	IOC-DKI-CTM Cable	01090-61614

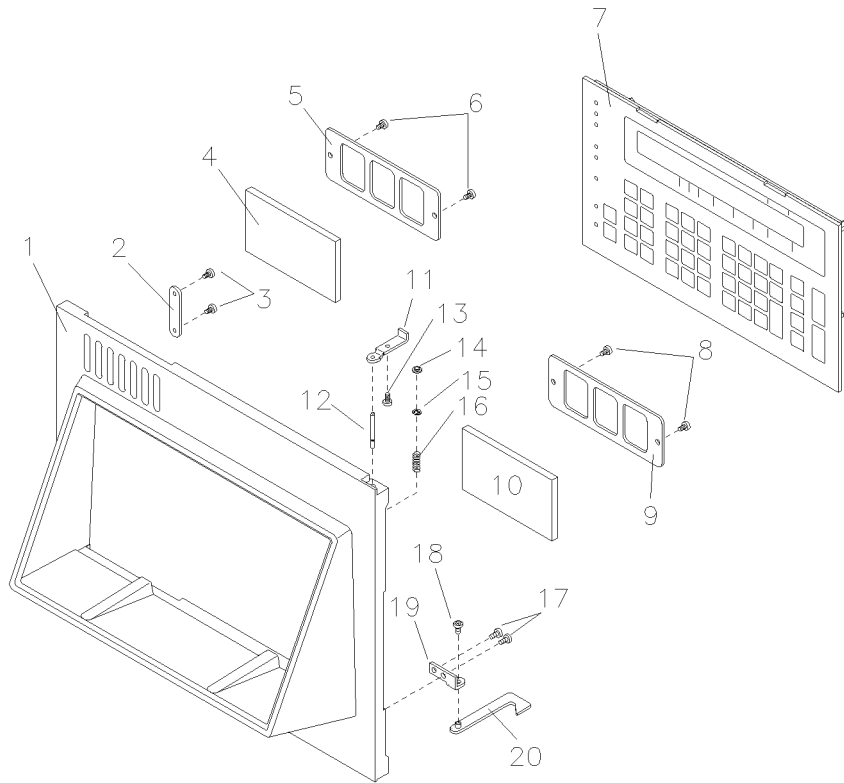


Figure 10-1. LUSI Parts

Local User Interface

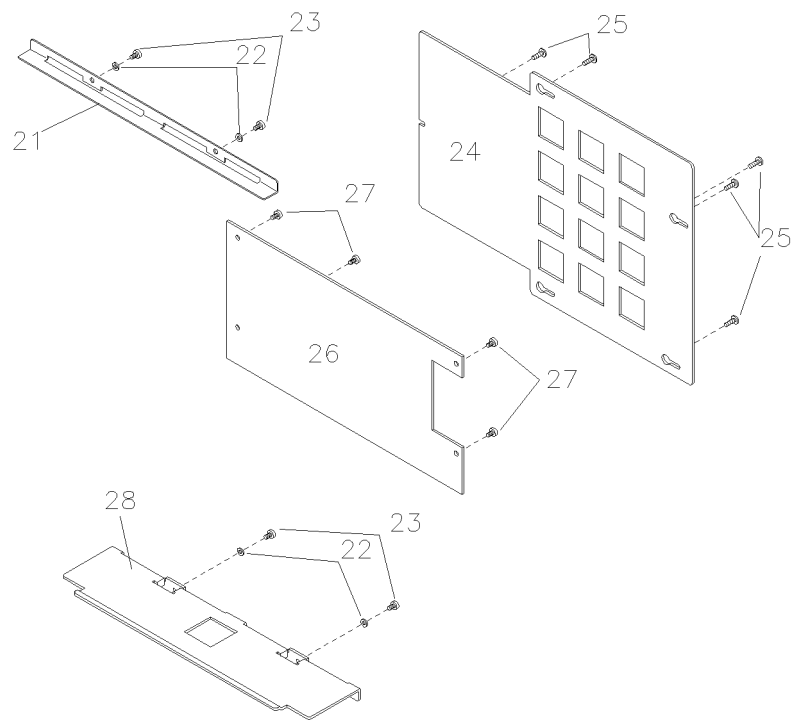


Figure 10-2. LUSI Parts